

AeroDome

In response to the increasing demand for an affordable architectural area light, we've created the AeroDome™, a stylish fixture with the performance, quality, ease of installation and pricing that our customers have wanted.

This handsome addition to our range of area lights features excellent photometric performance that is well-suited to large commercial lots with strict cutoff and uniformity codes. The AeroDome achieves higher footcandle averages, minimums and improved uniformities with an IES Full Cutoff Classification when compared to a traditional horizontal lamp fixture. In addition, using AeroDome fixtures can help reduce the number of poles and fixtures required in some applications. Contact our Application Engineering Department for more information.



Typical Cutaway



Optics

Four vertical lamp optical systems are available: IES Type III and IV (incrementally rotatable @ 90°), Square Type V (quadrate) optics (fixed) and Automotive Frontline. Reflectors made of premium grade, highly-reflective, pre-finished aluminum sheet.

Lens

High-impact, clear tempered glass lens secured to die-cast aluminum door frame and sealed with high-temperature silicone gasket seals lens from water and insects. Lens assembly features tool-less, quick-release mechanism for easy maintenance.

Lamps

20-inch housings accommodate mogul-base clear lamps (ED28 reduced envelope lamp for 320W–400W PSMH and 400W MH). 25-inch housings also accommodate mogul-base clear lamps (BT37 reduced envelope lamp for 1000W PSMH and 1000W MH, ED37 for 1000W HPS). Pulse-rated porcelain enclosed, 4kv (5kv for 750W & 1000W PSMH) rated lamp socket.

Ballast

All fixtures are standard with a high-power-factor ballast. The majority of Flood/Area fixtures are supplied with a multi-volt ballast. In the U.S., the standard ballast includes 120, 208, 240 and 277 volts; in Canada, the standard ballast includes 120, 277 and 347 volts.

Housing

Side-Arm Mount: Optic and Side-Arm housing made of seamless, die-cast aluminum. Electrical components contained in mounting arm assembly are heat-sinked. Side-Arm mount housing features thermal chimney that allows free air flow between Optic housing and Side-Arm housing, thereby extending electrical component life. The die-cast aluminum Side-Arm cover/gear tray is sealed with silicone gasket.

Post-Top Mount: Ballast module with high-power-factor ballast assembly, capacitor and ignitor located in Post-Top hub. The die-cast aluminum hub cover/gear tray is sealed with a silicone gasket. The ballast is heat-sinked.

Mounting

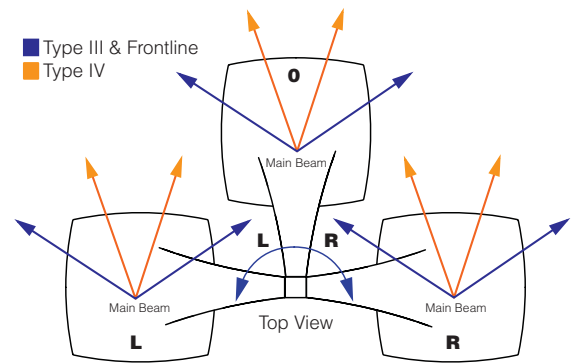
Mounting options include an extended Side-Arm or Round Tube Center Direct Post-Top. Side-arm casting includes thermal chimney to allow free airflow between the optical housing and arm. This feature separates the ballast assembly and Optic housing, thereby extending electrical component useful life.

Finish

Exclusive Colorfast DeltaGuard® finish features an E-coat epoxy primer with medium bronze ultra-durable powder topcoat, providing excellent resistance to corrosion, ultraviolet degradation and abrasion. The finish is covered by our seven-year limited warranty.

Labels

UL and cUL Listed for wet locations.



Top View of AeroDome with Side-Arm Mount with Rotatable Optic

Blue Arrows = Type III main beam direction
Orange Arrows = Type IV main beam direction

AeroDome Type III and IV optics can be rotated 90 degrees to meet site light distribution requirements while retaining the visual orientation of the AeroDome housing and pole. Rotatable optics are factory set or field rotatable on the Side-Arm Mount and field rotatable in the Round Tube Center Post-Top Mount.

AeroDome™ Series Mountings



Side-Arm Mount Mounting Code "O", "L" & "R"

O = Side-Arm Mount with optic in standard configuration
L = Side-Arm Mount with optic rotated properly to install fixture rotated 90° to the left of standard configuration
R = Side-Arm Mount with optic rotated properly to install fixture rotated 90° to the right of standard configuration

Die-cast aluminum mounting arm attaches fixture in a fixed horizontal position to the side of a square pole. A steel backing plate inside the pole secures the fixture. A round pole adaptor accessory is also available.



Post-top Mount Mounting Code "H"

Fabricated supporting yoke comprised of extruded aluminum round tubes and cast aluminum hub that supports fixture housing directly over pole.

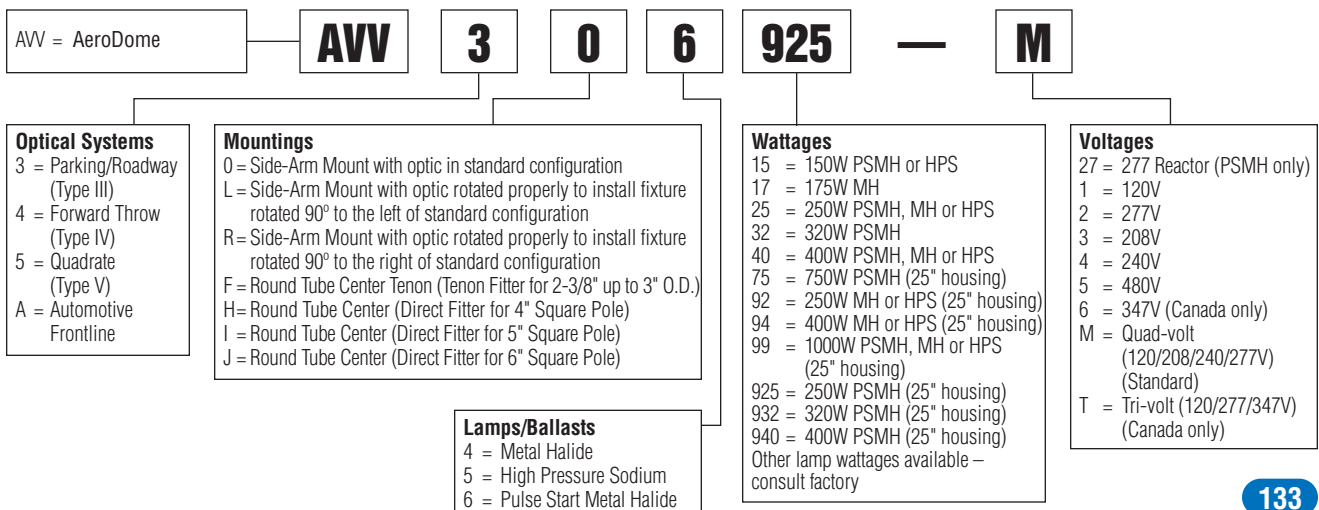
Round Tube Center Tenon Mounting Code "F", "H", "I" & "J"

F = Round Tube Center Tenon
H = Round Tube Center 4" Square Pole
I = Round Tube Center 5" Square Pole
J = Round Tube Center 6" Square Pole

AeroDome Series Catalog Number Logic

NOTE: See product pages for availability

Example shows an AeroDome with Parking/Roadway (Type III) optic, Side-Arm Mount, 250W PSMH lamp and Quad-volt ballast.



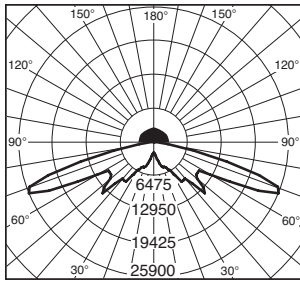
Lamp Included!



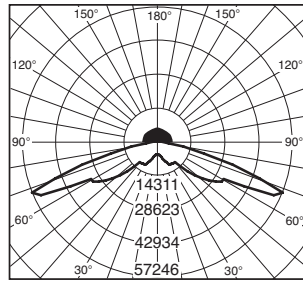
AVV3 Series
Side-Arm Mount

AeroDome™ Parking/Roadway Type III

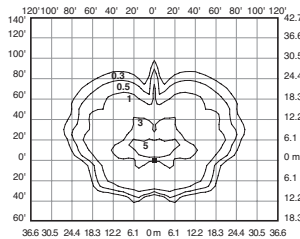
The AeroDome Parking/Roadway Light provides an IES Type III Full Cutoff distribution. The vertical lamp position of the luminaire provides excellent performance for roadway and parking area applications.



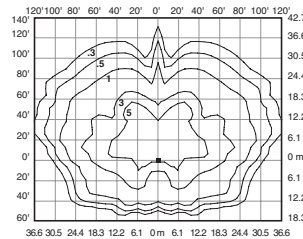
Candlepower distribution curve of 400W PSMH Type III. (Front View)



Candlepower distribution curve of 1000W MH Type III. (Front View)



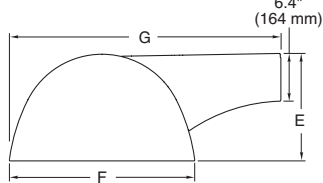
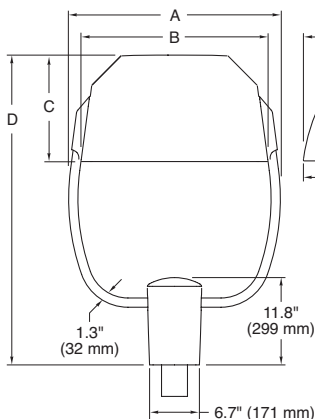
Isofootcandle plot of 400W PSMH Type III at 25' (7.6 m) mounting height.



Isofootcandle plot of 1000W MH Type III at 32' (9.7 m) AFG [30' (9.1 m) pole plus 2' (0.6 m) base height].

Post Top

Side-Arm



Housing Size	A	B	C	D	E	F	G
20" (501 mm)	23.0" (585 mm)	20" (501 mm)	11.8" (300 mm)	36.0" (913 mm)	12.0" (305 mm)	20" (501 mm)	28.8" (733 mm)
25" (635 mm)	28.6" (726 mm)	25" (635 mm)	14.4" (366 mm)	46.3" (1173 mm)	14.5" (368 mm)	25" (635 mm)	36.7" (931 mm)

AVRP-3

Order Information

Housing Size	Wattage Lamp	Catalog Number	Mounting Code
20"	150W PSMH	AVV3*615-M	O =Side-Arm Mount
20"	250W PSMH	AVV3*625-M	L =Side-Arm Mount-
20"	320W PSMH	AVV3*632-M	Optic rotated (see page 133)
20"	400W PSMH	AVV3*640-M	R =Side-Arm Mount-
25"	750W PSMH	AVV3*675-M	Optic rotated (see page 133)
25"	1000W PSMH	AVV3*699-M	F =Round Tube Center Tenon
20"	175W MH	AVV3*417-M	H =Round Tube Center
20"	250W MH	AVV3*425-M	4" Square Pole
20"	400W MH	AVV3*440-M	I =Round Tube Center
25"	1000W MH	AVV3*499-M	5" Square Pole
20"	150W HPS	AVV3*515-M	J =Round Tube Center
20"	250W HPS	AVV3*525-M	6" Square Pole
20"	400W HPS	AVV3*540-M	
25"	1000W HPS	AVV3*599-M	

◀ Some states prohibit these products from being sold.

* Specify Mounting (additional cost)

Other lamp wattages available—consult factory

⚡ Reduced envelope lamp. BT37 for 1000W PSMH & 1000W MH; ED37 for 1000W HPS; ED28 for 320 & 400W PSMH and 400W MH.

Options: (Factory-installed)	Change Suffix To	Add After Suffix
277V Reactor Ballast (PSMH only)	27	
480V ballast	5	
Tri-volt ballast	T	
Single Fuse (277V Reactor, 120V, 277V or 347V)	27, 1, 2, or 6	F
(n/a with Post-Top versions)		
Dual Fuse (208V, 240V or 480V)	3, 4 or 5	F
(n/a with Post-Top versions) (n/a Canada)		
Button Photocell (n/a on 480V or 1000W/120V)	27, 1, 2, 3, 4 or 6	P
External Photocell (for 1000W/120V)	1	P
External Photocell (480V only) (n/a Post Top)	5	P

Accessories: (Field-installed)	20"	25"
External Backlight Shield –	SBL-AVV20CBZ	SBL-AVV25CBZ
Full Cutoff		
External Backlight Shield	SBL-AVV20EBZ	SBL-AVV25EBZ

Catalog Number

Round Pole Adaptor (fits 3" to 6" dia. Pole) AVRP-3

Mountings Page 133

Catalog Number Logic/Voltage Suffix Key Page 133

Poles Pages 152–159



SBL-AVV20CBZ/SBL-AVV25CBZ
Maintains "full cutoff".



SBL-AVV20EBZ/SBL-AVV25EBZ
For backlight cutoff. To maintain "full cutoff" order SBL-AVV20CBZ/SBL-AVV25CBZ.



AVRP-3

Performance... DIRECT!

(800) 236-7000, 7 a.m. to 6 p.m. CT

Fax: (800) 236-7500 • www.ruudlighting.com

AeroDome™

Type III

AVV3 SERIES

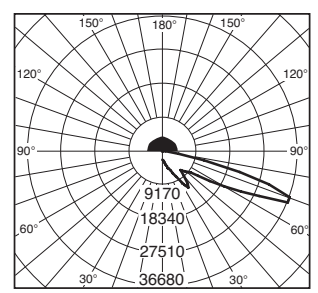
Lamp Included!



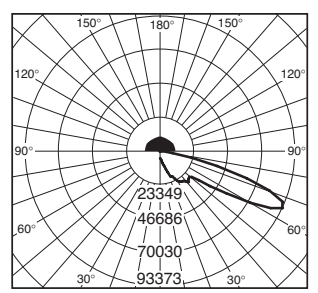
**AVV4 Series
Side-Arm Mount**

AeroDome™ Forward Throw Type IV

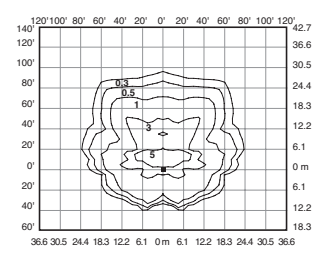
The AeroDome Forward Throw has a main beam of 67.5 degrees and provides an IES Type IV distribution that can be used for perimeter lighting applications.



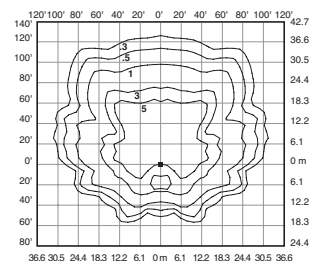
Candlepower distribution curve of 400W PSMH Type IV. (Side View)



Candlepower distribution curve of 1000W MH Type IV. (Side View)

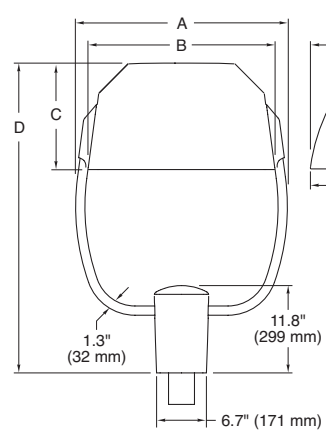


Isofootcandle plot of 400W PSMH Type IV at 25' (7.6 m) mounting height.

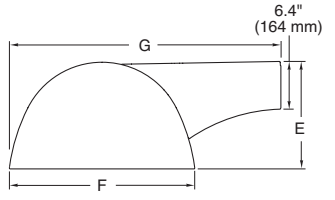


Isofootcandle plot of 1000W MH Type IV at 32' (9.7 m) AFG [30' (9.1 m) pole plus 2' (0.6 m) base height].

Post Top



Side-Arm



Housing Size	A	B	C	D	E	F	G
20"	23.0" (585 mm)	20" (501 mm)	11.8" (300 mm)	36.0" (913 mm)	12.0" (305 mm)	20" (501 mm)	28.8" (733 mm)
25"	28.6" (726 mm)	25" (635 mm)	14.4" (366 mm)	46.3" (1173 mm)	14.5" (368 mm)	25" (635 mm)	36.7" (931 mm)

Order Information

Housing Size	Wattage Lamp	Catalog Number	Mounting Code (Insert Code at * in Catalog #)
20"	150W PSMH	AVV4*615-M	O = Side-Arm Mount
20"	250W PSMH	AVV4*625-M	L = Side-Arm Mount—
20"	320W PSMH	AVV4*632-M	Optic rotated (see page 133)
20"	400W PSMH	AVV4*640-M	R = Side-Arm Mount—
25"	750W PSMH	AVV4*675-M	Optic rotated (see page 133)
25"	1000W PSMH	AVV4*699-M	F = Round Tube Center Tenon
20"	175W MH	AVV4*417-M	H = Round Tube Center
20"	250W MH	AVV4*425-M	4" Square Pole
20"	400W MH	AVV4*440-M	I = Round Tube Center
25"	1000W MH	AVV4*499-M	5" Square Pole
20"	150W HPS	AVV4*515-M	J = Round Tube Center
20"	250W HPS	AVV4*525-M	6" Square Pole
20"	400W HPS	AVV4*540-M	
25"	1000W HPS	AVV4*599-M	

◀ Some states prohibit these products from being sold.

* Specify Mounting (additional cost)

Other lamp wattages available—consult factory

⚡ Reduced envelope lamp. BT37 for 1000W PSMH & 1000W MH; ED37 for 1000W HPS; ED28 for 320 & 400W PSMH and 400W MH.

Options: (Factory-installed)	Change Suffix To	Add After Suffix
277V Reactor Ballast (PSMH only)	27	
480V ballast	5	
Tri-volt ballast	T	
Single Fuse (277V Reactor, 120V, 277V or 347V)	27, 1, 2, or 6	F
(n/a with Post-Top versions)		
Dual Fuse (208V, 240V or 480V)	3, 4 or 5	F
(n/a with Post-Top versions) (n/a Canada)		
Button Photocell (n/a on 480V or 1000W/120V)	27, 1, 2, 3, 4 or 6	P
External Photocell (for 1000W/120V)	1	P
External Photocell (480V only) (n/a Post Top)	5	P

Accessories: (Field-installed)	20"	25"
External Backlight Shield –	SBL-AVV20CBZ	SBL-AVV25CBZ
Full Cutoff		
External Backlight Shield	SBL-AVV20EBZ	SBL-AVV25EBZ

Catalog Number

Round Pole Adaptor (fits 3" to 6" dia. Pole)	AVRP-3
Mountings	Page 133
Catalog Number Logic/Voltage Suffix Key	Page 133
Poles	Pages 152–159



SBL-AVV20CBZ/SBL-AVV25CBZ
Maintains "full cutoff".



SBL-AVV20EBZ/SBL-AVV25EBZ
For backlight cutoff. To maintain "full cutoff" order SBL-AVV20CBZ/SBL-AVV25CBZ.



AVRP-3

Products... DIRECT!
(800) 236-7000, 7 a.m. to 6 p.m. CT
Fax: (800) 236-7500 • www.ruudlighting.com

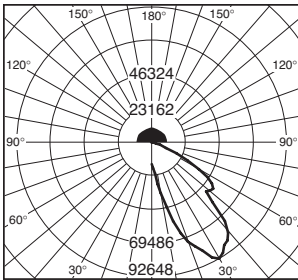
Lamp Included!



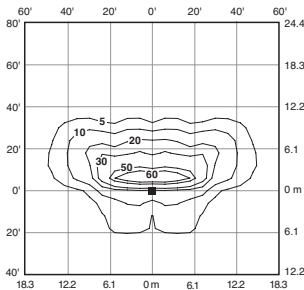
AVVA Series
Side-Arm Mount

AeroDome™ Automotive Frontline

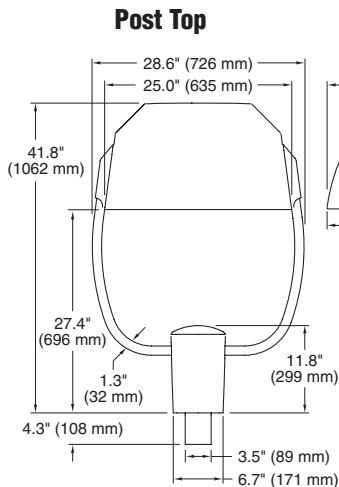
Rotatable optics for mounting and layout flexibility, this Full Cutoff fixture is specifically designed for frontline automotive sales lot applications and can reduce the number of poles and units needed by 50%.



Candlepower distribution curve of 1000W MH Automotive Frontline. (Side View)



Isofootcandle plot of 1000W MH Automotive Frontline at 32' (9.7 m) AFG [30' (9.1 m) pole plus 2' (0.6 m) yoke height].



Order Information

Housing Size	Wattage Lamp	Catalog Number	Mounting Code (Insert Code at * in Catalog #)
25"	250W PSMH	AVVA*6925-M	D =Side-Arm Mount
25"	320W PSMH	AVVA*6932-M	L =Side-Arm Mount-
25"	400W PSMH	AVVA*6940-M	Optic rotated (see page 133)
25"	750W PSMH	AVVA*675-M	R =Side-Arm Mount-
25"	1000W PSMH	AVVA*699-M	Optic rotated (see page 133)
25"	250W MH	AVVA*492-M	F =Round Tube Center Tenon
25"	400W MH	AVVA*494-M	H =Round Tube Center
25"	1000W MH	AVVA*499-M	4" Square Pole
25"	250W HPS	AVVA*592-M	I =Round Tube Center
25"	400W HPS	AVVA*594-M	5" Square Pole
25"	1000W HPS	AVVA*599-M	J =Round Tube Center
			6" Square Pole

◀ Some states prohibit these products from being sold.

* Specify Mounting (additional cost)

Other lamp wattages available—consult factory

◐ Reduced envelope lamp. BT37 for 1000W PSMH & 1000W MH; ED37 for 1000W HPS

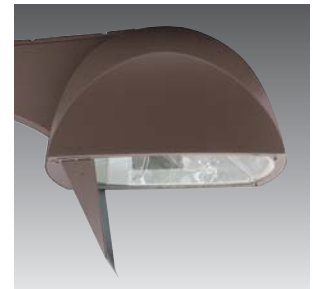
Options: (Factory-installed)	Change	Add After
Description	Suffix To	Suffix
277V Reactor Ballast (PSMH only)	27	
480V ballast	5	
Tri-volt ballast	T	
Single Fuse (277V Reactor, 120V, 277V or 347V)	27, 1, 2, or 6	F
(n/a with Post-Top versions)		
Dual Fuse (208V, 240V or 480V)	3, 4 or 5	F
(n/a with Post-Top versions) (n/a Canada)		
Button Photocell (n/a on 480V or 1000W/120V)	27, 1, 2, 3, 4 or 6	P
External Photocell (for 1000W/120V)	1	P
External Photocell (480V only) (n/a Post Top)	5	P

Accessories: (Field-installed)

	Catalog Number
Round Pole Adaptor (fits 3" to 6" dia. pole)	AVRP-3
External Backlight Shield (Automotive only)	SBL-AVVA25EBZ
Mountings	Page 133
Catalog Number Logic/Voltage Suffix Key	Page 133
Poles	Pages 152–159



AVRP-3



SBL-AVVA25EBZ (Automotive only)

Dependability... DIRECT!

(800) 236-7000, 7 a.m. to 6 p.m. CT

Fax: (800) 236-7500 • www.ruudlighting.com

AeroDome™

Automotive Frontline

AVVA SERIES

RUUD
LIGHTING

**Lamp
Included!**

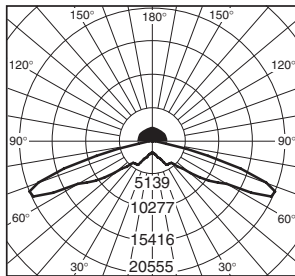


**AVV5 Series
Post Top Mount**

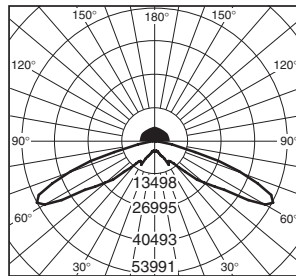


AeroDome™ Quadrate Type V

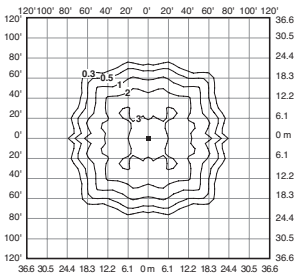
The AeroDome Quadrate provides an IES Type V distribution and is ideal for parking and area lighting applications.



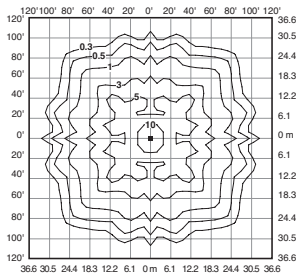
Candlepower distribution curve of 400W PSMH Type V.



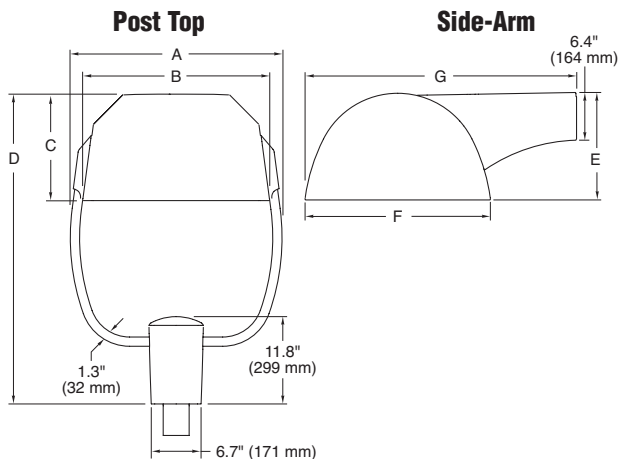
Candlepower distribution curve of 1000W MH Type V.



Isofootcandle plot of 400W PSMH Type V at 25' (7.6 m) mounting height.



Isofootcandle plot of 1000W MH Type V at 32' (9.7 m) pole plus 2' (0.6 m) yoke height.



Order Information

Housing Size	Wattage Lamp	Catalog Number	Mounting Code (Insert Code at * in Catalog #)
20"	150W PSMH	AVV5*615-M	D = Side-Arm Mount
20"	250W PSMH	AVV5*625-M	F = Round Tube Center Tenon
20"	320W PSMH	AVV5*632-M	H = Round Tube Center
20"	400W PSMH	AVV5*640-M	4" Square Pole
25"	750W PSMH	AVV5*675-M	I = Round Tube Center
25"	1000W PSMH	AVV5*699-M	5" Square Pole
20"	175W MH	AVV5*417-M	J = Round Tube Center
20"	250W MH	AVV5*425-M	6" Square Pole
20"	400W MH	AVV5*440-M	
25"	1000W MH	AVV5*499-M	
20"	150W HPS	AVV5*515-M	
20"	250W HPS	AVV5*525-M	
20"	400W HPS	AVV5*540-M	
25"	1000W HPS	AVV5*599-M	

◀ Some states prohibit these products from being sold.

* Specify Mounting (additional cost)

Other lamp wattages available—consult factory

⚡ Reduced envelope lamp. BT37 for 1000W PSMH & 1000W MH; ED37 for 1000W HPS; ED28 for 320 & 400W PSMH and 400W MH.

Options: (Factory-installed)	Change Suffix To	Add After Suffix
277V Reactor Ballast (PSMH only)	27	
480V ballast	5	
Tri-volt ballast	T	
Single Fuse (277V Reactor, 120V, 277V or 347V)	27, 1, 2, or 6	F
(Not available with Post-Top versions)		
Dual Fuse (208V, 240V or 480V)	3, 4 or 5	F
(Not available with Post-Top versions) (n/a Canada)		
Button Photocell (n/a on 480V or 1000W/120V)	27, 1, 2, 3, 4 or 6	P
External Photocell (for 1000W/120V)	1	P
External Photocell (480V only) (n/a Post Top)	5	P

Accessories: (Field-installed)

Description	Catalog Number
Round Pole Adaptor (fits 3" to 6" dia. pole)	AVRP-3
Mountings	Page 133
Catalog Number Logic/Voltage Suffix Key	Page 133
Poles	Pages 152–159



AVRP-3

Housing Size	A	B	C	D	E	F	G
20" (501 mm)	23.0" (585 mm)	20" (501 mm)	11.8" (300 mm)	36.0" (913 mm)	12.0" (305 mm)	20" (501 mm)	28.8" (733 mm)
25" (635 mm)	28.6" (726 mm)	25" (635 mm)	14.4" (366 mm)	46.3" (1173 mm)	14.5" (368 mm)	25" (635 mm)	36.7" (931 mm)

Product Availability... DIRECT!

(800) 236-7000, 7 a.m. to 6 p.m. CT

Fax: (800) 236-7500 • www.ruudlighting.com