

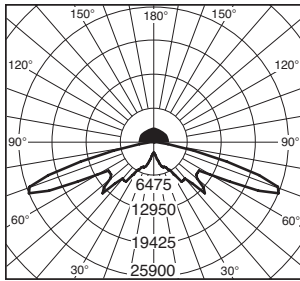
Lamp Included!



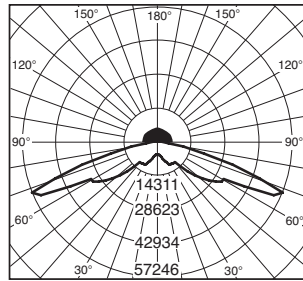
AVV3 Series
Side-Arm Mount

AeroDome™ Parking/Roadway Type III

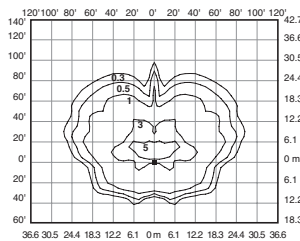
The AeroDome Parking/Roadway Light provides an IES Type III Full Cutoff distribution. The vertical lamp position of the luminaire provides excellent performance for roadway and parking area applications.



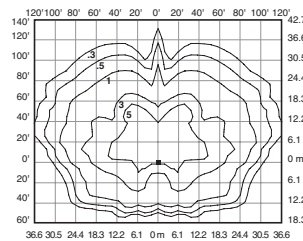
Candlepower distribution curve of 400W PSMH Type III. (Front View)



Candlepower distribution curve of 1000W MH Type III. (Front View)



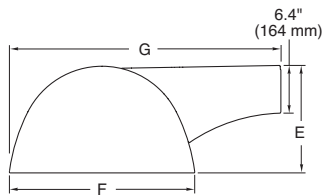
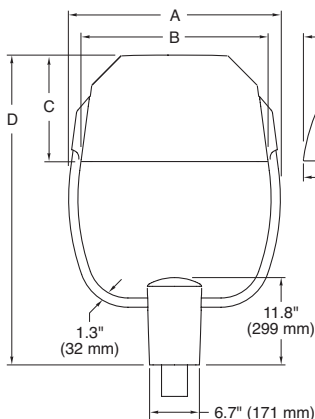
Isofootcandle plot of 400W PSMH Type III at 25' (7.6 m) mounting height.



Isofootcandle plot of 1000W MH Type III at 32' (9.7 m) AFG [30' (9.1 m) pole plus 2' (0.6 m) base height].

Post Top

Side-Arm



Housing Size	A	B	C	D	E	F	G
20" (501 mm)	23.0" (585 mm)	20" (501 mm)	11.8" (300 mm)	36.0" (913 mm)	12.0" (305 mm)	20" (501 mm)	28.8" (733 mm)
25" (635 mm)	28.6" (726 mm)	25" (635 mm)	14.4" (366 mm)	46.3" (1173 mm)	14.5" (368 mm)	25" (635 mm)	36.7" (931 mm)

Order Information

Housing Size	Wattage Lamp	Catalog Number	Mounting Code
20"	150W PSMH	AVV3*615-M	O =Side-Arm Mount
20"	250W PSMH	AVV3*625-M	L =Side-Arm Mount-
20"	320W PSMH	AVV3*632-M	Optic rotated (see page 133)
20"	400W PSMH	AVV3*640-M	R =Side-Arm Mount-
25"	750W PSMH	AVV3*675-M	Optic rotated (see page 133)
25"	1000W PSMH	AVV3*699-M	F =Round Tube Center Tenon
20"	175W MH	AVV3*417-M	H =Round Tube Center
20"	250W MH	AVV3*425-M	4" Square Pole
20"	400W MH	AVV3*440-M	I =Round Tube Center
25"	1000W MH	AVV3*499-M	5" Square Pole
20"	150W HPS	AVV3*515-M	J =Round Tube Center
20"	250W HPS	AVV3*525-M	6" Square Pole
20"	400W HPS	AVV3*540-M	
25"	1000W HPS	AVV3*599-M	

◀ Some states prohibit these products from being sold.

* Specify Mounting (additional cost)

Other lamp wattages available—consult factory

⚡ Reduced envelope lamp. BT37 for 1000W PSMH & 1000W MH; ED37 for 1000W HPS; ED28 for 320 & 400W PSMH and 400W MH.

Options: (Factory-installed)	Change Suffix To	Add After Suffix
277V Reactor Ballast (PSMH only)	27	
480V ballast	5	
Tri-volt ballast	T	
Single Fuse (277V Reactor, 120V, 277V or 347V)	27, 1, 2, or 6	F
(n/a with Post-Top versions)		
Dual Fuse (208V, 240V or 480V)	3, 4 or 5	F
(n/a with Post-Top versions) (n/a Canada)		
Button Photocell (n/a on 480V or 1000W/120V)	27, 1, 2, 3, 4 or 6	P
External Photocell (for 1000W/120V)	1	P
External Photocell (480V only) (n/a Post Top)	5	P

Accessories: (Field-installed)	20"	25"
External Backlight Shield –	SBL-AVV20CBZ	SBL-AVV25CBZ
Full Cutoff		
External Backlight Shield	SBL-AVV20EBZ	SBL-AVV25EBZ

	Catalog Number
Round Pole Adaptor (fits 3" to 6" dia. Pole)	AVRP-3

Mountings Page 133
 Catalog Number Logic/Voltage Suffix Key Page 133
 Poles Pages 152–159



SBL-AVV20CBZ/SBL-AVV25CBZ
Maintains "full cutoff".



SBL-AVV20EBZ/SBL-AVV25EBZ
For backlight cutoff. To maintain "full cutoff" order SBL-AVV20CBZ/SBL-AVV25CBZ.



AVRP-3

Performance... **DIRECT!**

(800) 236-7000, 7 a.m. to 6 p.m. CT

Fax: (800) 236-7500 • www.ruudlighting.com

AeroDome™

Type III

AVV3 SERIES

RUUD LIGHTING