

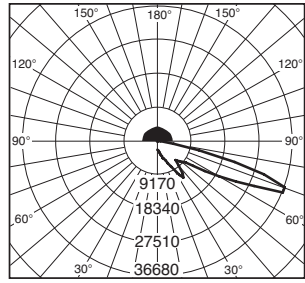
Lamp Included!



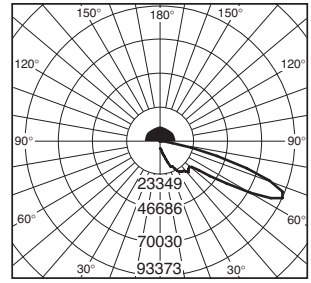
**AVV4 Series
Side-Arm Mount**

AeroDome™ Forward Throw Type IV

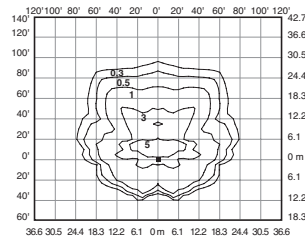
The AeroDome Forward Throw has a main beam of 67.5 degrees and provides an IES Type IV distribution that can be used for perimeter lighting applications.



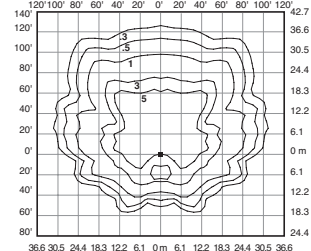
Candlepower distribution curve of 400W PSMH Type IV. (Side View)



Candlepower distribution curve of 1000W MH Type IV. (Side View)

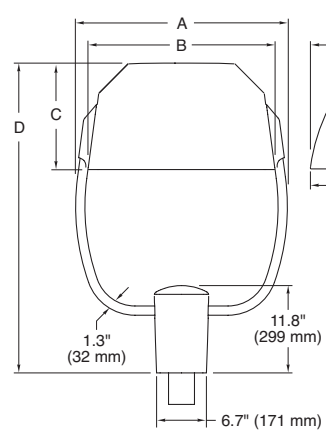


Isofootcandle plot of 400W PSMH Type IV at 25' (7.6 m) mounting height.

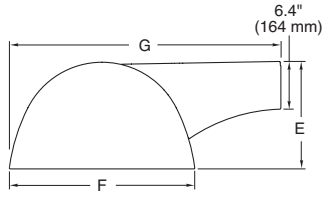


Isofootcandle plot of 1000W MH Type IV at 32' (9.7 m) AFG [30' (9.1 m) pole plus 2' (0.6 m) base height].

Post Top



Side-Arm



Housing Size	A	B	C	D	E	F	G
20"	23.0" (585 mm)	20" (501 mm)	11.8" (300 mm)	36.0" (913 mm)	12.0" (305 mm)	20" (501 mm)	28.8" (733 mm)
25"	28.6" (726 mm)	25" (635 mm)	14.4" (366 mm)	46.3" (1173 mm)	14.5" (368 mm)	25" (635 mm)	36.7" (931 mm)

Order Information

Housing Size	Wattage Lamp	Catalog Number	Mounting Code (Insert Code at * in Catalog #)
20"	150W PSMH	AVV4*615-M	O = Side-Arm Mount
20"	250W PSMH	AVV4*625-M	L = Side-Arm Mount— Optic rotated (see page 133)
20"	320W PSMH	AVV4*632-M	R = Side-Arm Mount— Optic rotated (see page 133)
20"	400W PSMH	AVV4*640-M	F = Round Tube Center Tenon
25"	750W PSMH	AVV4*675-M	H = Round Tube Center 4" Square Pole
25"	1000W PSMH	AVV4*699-M	I = Round Tube Center 5" Square Pole
20"	175W MH	AVV4*417-M	J = Round Tube Center 6" Square Pole
20"	250W MH	AVV4*425-M	
20"	400W MH	AVV4*440-M	
25"	1000W MH	AVV4*499-M	
20"	150W HPS	AVV4*515-M	
20"	250W HPS	AVV4*525-M	
20"	400W HPS	AVV4*540-M	
25"	1000W HPS	AVV4*599-M	

◀ Some states prohibit these products from being sold.

* Specify Mounting (additional cost)

Other lamp wattages available—consult factory

⚡ Reduced envelope lamp. BT37 for 1000W PSMH & 1000W MH; ED37 for 1000W HPS; ED28 for 320 & 400W PSMH and 400W MH.

Options: (Factory-installed)	Change Suffix To	Add After Suffix
277V Reactor Ballast (PSMH only)	27	
480V ballast	5	
Tri-volt ballast	T	
Single Fuse (277V Reactor, 120V, 277V or 347V)	27, 1, 2, or 6	F
(n/a with Post-Top versions)		
Dual Fuse (208V, 240V or 480V)	3, 4 or 5	F
(n/a with Post-Top versions) (n/a Canada)		
Button Photocell (n/a on 480V or 1000W/120V)	27, 1, 2, 3, 4 or 6	P
External Photocell (for 1000W/120V)	1	P
External Photocell (480V only) (n/a Post Top)	5	P

Accessories: (Field-installed)	20"	25"
External Backlight Shield –	SBL-AVV20CBZ	SBL-AVV25CBZ
Full Cutoff		
External Backlight Shield	SBL-AVV20EBZ	SBL-AVV25EBZ

Catalog Number

Round Pole Adaptor (fits 3" to 6" dia. Pole)	AVRP-3
Mountings	Page 133
Catalog Number Logic/Voltage Suffix Key	Page 133
Poles	Pages 152–159



SBL-AVV20CBZ/SBL-AVV25CBZ
Maintains "full cutoff".



SBL-AVV20EBZ/SBL-AVV25EBZ
For backlight cutoff. To maintain "full cutoff" order SBL-AVV20CBZ/SBL-AVV25CBZ.



AVRP-3

Products... DIRECT!
(800) 236-7000, 7 a.m. to 6 p.m. CT
Fax: (800) 236-7500 • www.ruudlighting.com